

ICOM

INSTRUCTION MANUAL

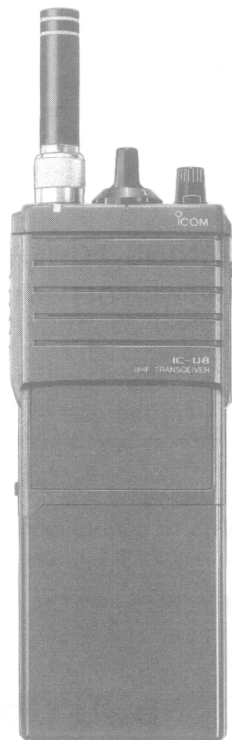
UHF TRANSCEIVER  
**IC-U8**

---

---

---

Icom Inc.



---

## FOREWORD

---

Thank you for choosing the Icom **IC-U8 UHF TRANSCEIVER**. Icom uses the most advanced, state-of-the-art engineering concepts and the latest technology.

The **IC-U8** meets U.S. Government Military Standard Specifications 810C and 810D for use in harsh environments that include:

- Low pressure
- Low temperature
- High temperature
- Solar radiation
- Rain
- Humidity
- Soft fog
- Dust
- Vibration
- Shock

To fully appreciate the capabilities of your new **IC-U8**, please read this instruction manual carefully before operating.

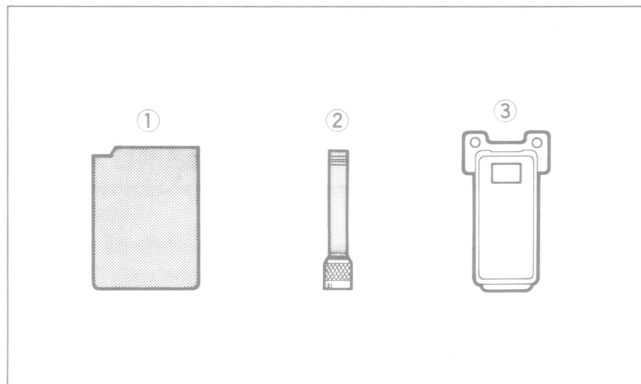
### **WARNING:**

An optional CM-79 BATTERY PACK must be used in areas where the danger of explosion might exist since the battery pack is designed for intrinsically safe-type transceivers. **NEVER** use the supplied CM-80 BATTERY PACK in these areas.

---

## UNPACKING

---

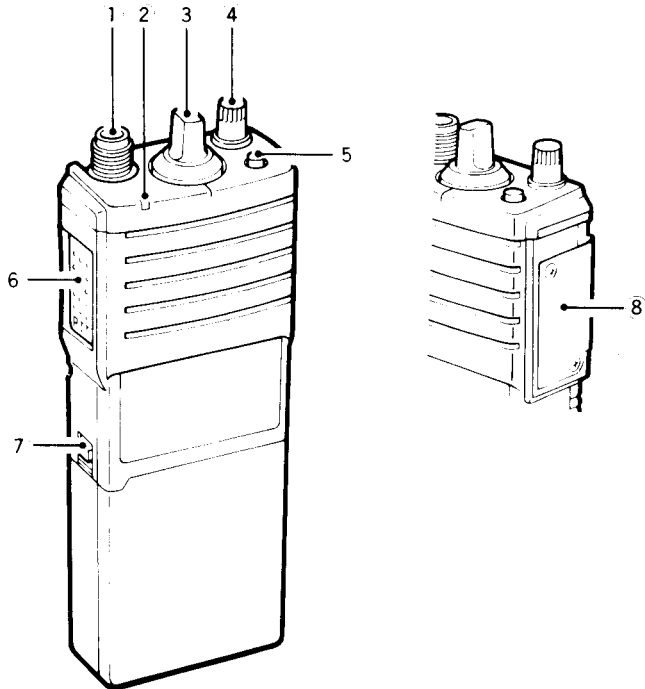


### **Accessories included with the IC-U8:**

	<b>Qty.</b>
① Battery pack (CM-80) . . . . .	1
② Flexible antenna . . . . .	1
③ Alligator clip . . . . .	1

# CONTROL FUNCTIONS

1



- 1: **ANTENNA CONNECTOR**  
Connects the supplied flexible antenna.
- 2: **TRANSMIT/BUSY INDICATOR [TX/BUSY]**  
Lights up in red while transmitting.  
Lights up in green when a channel is busy.
- 3: **CHANNEL SELECTOR**  
Selects a channel. Do not try to rotate beyond the channel lock point. (Channels can be locked by your nearest authorized Icom Dealer).
- 4: **POWER SWITCH/VOLUME CONTROL [PWR/VOL]**  
Turn power ON and OFF, and adjust the audio level.
- 5: **MONITOR SWITCH [MONITOR]**  
Push when the [TX/BUSY] indicator lights up in green to listen to the channel.
- 6: **PTT (Push-To-Talk) SWITCH**  
Push to transmit, and release to receive.
- 7: **BATTERY PACK RELEASE BUTTON**  
Allows the battery pack to be removed from the transceiver.
- 8: **EXTERNAL SPEAKER-MICROPHONE JACKS**  
Accepts an optional EM-49 SPEAKER-MICROPHONE.  
Ask your Icom Dealer for connection information.

### ■ BATTERY PACK REPLACEMENT

Before replacing the battery pack, [PWR/VOL] **MUST** be fully rotated counterclockwise until a click is heard to turn OFF power.

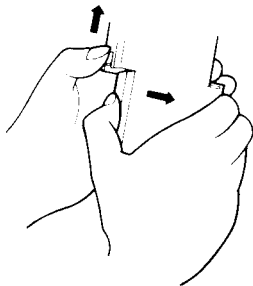
- 1) To remove the battery pack from the transceiver, push and hold the RELEASE button upward, then slide the battery pack to the right with the transceiver facing you.
- 2) To attach the battery pack to the transceiver, mate the notched ends between the battery pack and the transceiver, then slide the battery pack until a click sound from the latch is heard.

### ■ BATTERY PACK CHARGING

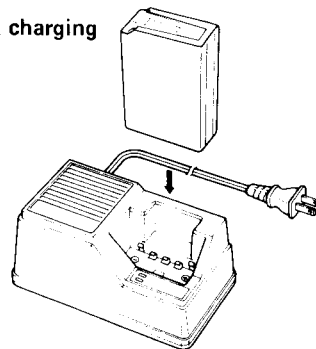
Prior to using the transceiver for the first time, the battery pack **MUST** be fully charged with the optional BM-71U/E DESKTOP CHARGER.

- 1) Turn ON the optional BM-71U/E DESKTOP CHARGER.
- 2) Put the battery pack in the CHARGING SLOT.
  - The CHG indicator on the BM-71U/E lights up while charging.
  - When the battery pack is attached to the transceiver, [PWR/VOL] **MUST** be OFF.
  - Average charging time is about 1 hour.

#### • Battery pack removal



#### • Battery pack charging



## ■ BATTERY PACK CAUTIONS

**NEVER** throw the battery pack into a fire. Internal battery gas may cause an explosion.

**NEVER** put the battery pack in water. If the battery pack is wet, be sure to wipe it dry.

**NEVER** short terminals of the battery pack. Internal components may be damaged. Current may flow into nearby metal objects.

**NEVER** replace the battery cells. The supplied battery pack can normally be recharged 300 times. After this, a new battery must be purchased.

**AVOID** charging the battery pack in extreme cold (under 0°C) or extreme heat (over +40°C). The battery pack may not charge fully in these extreme temperatures.

## ■ LOW BATTERY CONDITION

When the [TX/BUSY] indicator goes out or does not light up while transmitting, the battery should be charged or replaced with a fully charged battery pack.

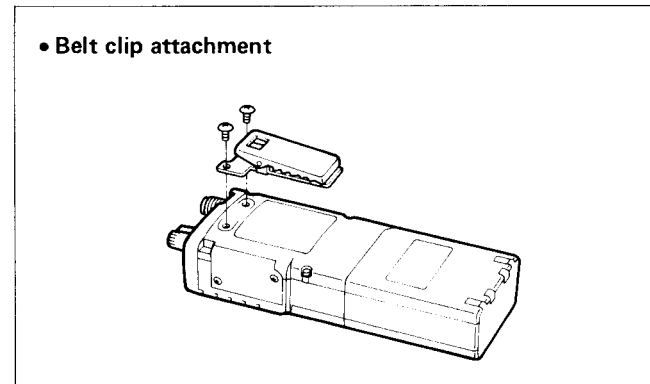
## ■ ANTENNA CONNECTION

Insert the connector on the supplied flexible antenna to the antenna connector on the top panel of the transceiver. Screw down securely.

## ■ ALLIGATOR CLIP ATTACHMENT

The supplied alligator clip is helpful for carrying the transceiver.

Remove 2 screws on the rear panel, then attach the alligator clip to the transceiver with the 2 screws.



### ■ RECEIVING

- 1) Rotate [PWR/VOL] clockwise to turn ON power.
- 2) Set the channel selector to the desired channel position.
- 3) Adjust [PWR/VOL] to the desired listening level when a call is received.
- 4) If [TX/BUSY] lights up in green but no audio is emitted, push and hold [MONITOR] to listen to the channel.

### ■ TURNING POWER OFF

Rotate [PWR/VOL] until a click is heard. Power is now OFF.

### ■ TRANSMITTING

**CAUTION:** Transmitting without an antenna may damage the transceiver.

- 1) Turn ON power, then set the channel selector to the desired channel position.
- 2) When [TX/BUSY] lights up in green, wait until the channel is clear before transmitting.
- 3) After confirming the channel is clear, push and hold the PTT switch, and speak into the microphone.
  - [TX/BUSY] lights up in red.
  - **DO NOT** hold the transceiver too closely to your mouth or speak too loudly. This may distort the signal.
- 4) Release the PTT switch to return to receive.

• **BATTERY PACKS**

	<b>OUTPUT VOLTAGE</b>	<b>BATTERY CAPACITY</b>	<b>HEIGHT</b>
<b>CM-79</b> (Intrinsically safe type)	7.2 V	600 mAh	67 mm (2.6 in)
<b>CM-80</b> (Normal type)	7.2 V	600 mAh	67 mm (2.6 in)

• **BM-71U/E AC BATTERY CHARGER**

Charges CM-79, CM-80 BATTERY PACKS.

• **EM-49 SPEAKER-MICROPHONE**

Plugs into transceiver and clips on lapel or pocket. Has PTT switch.

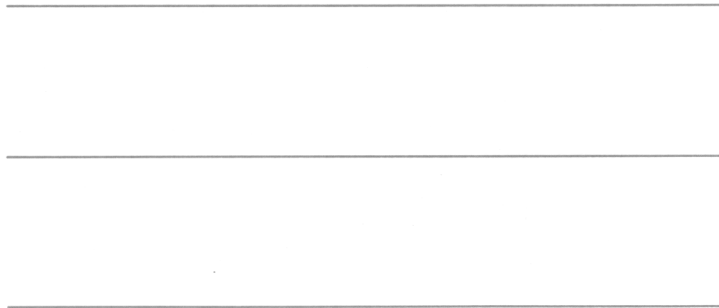
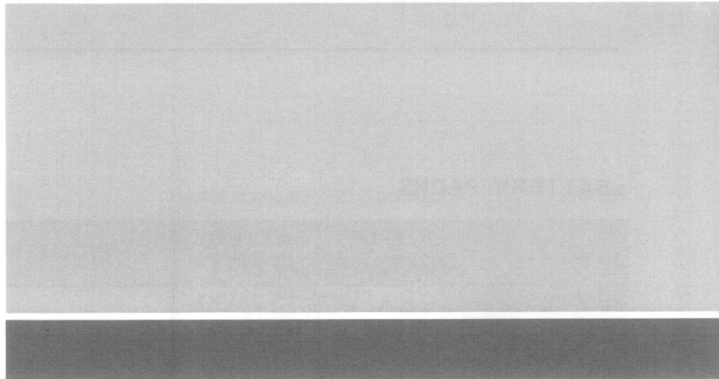
• **FA-450TA FLEXIBLE ANTENNA**

Long-type flexible antennas. Ensures you longer distance communications.

• **UT-46 DTMF ENCODER UNIT**

Provides repeater access and auto phone-patch operation.

**Count on us!**



A-5081S-1EX  
Printed in Japan  
Copyright © 1989 Icom Inc.

**Icom Inc.**  
6-9-16, Kamihigashi, Hirano-ku, Osaka 547, Japan